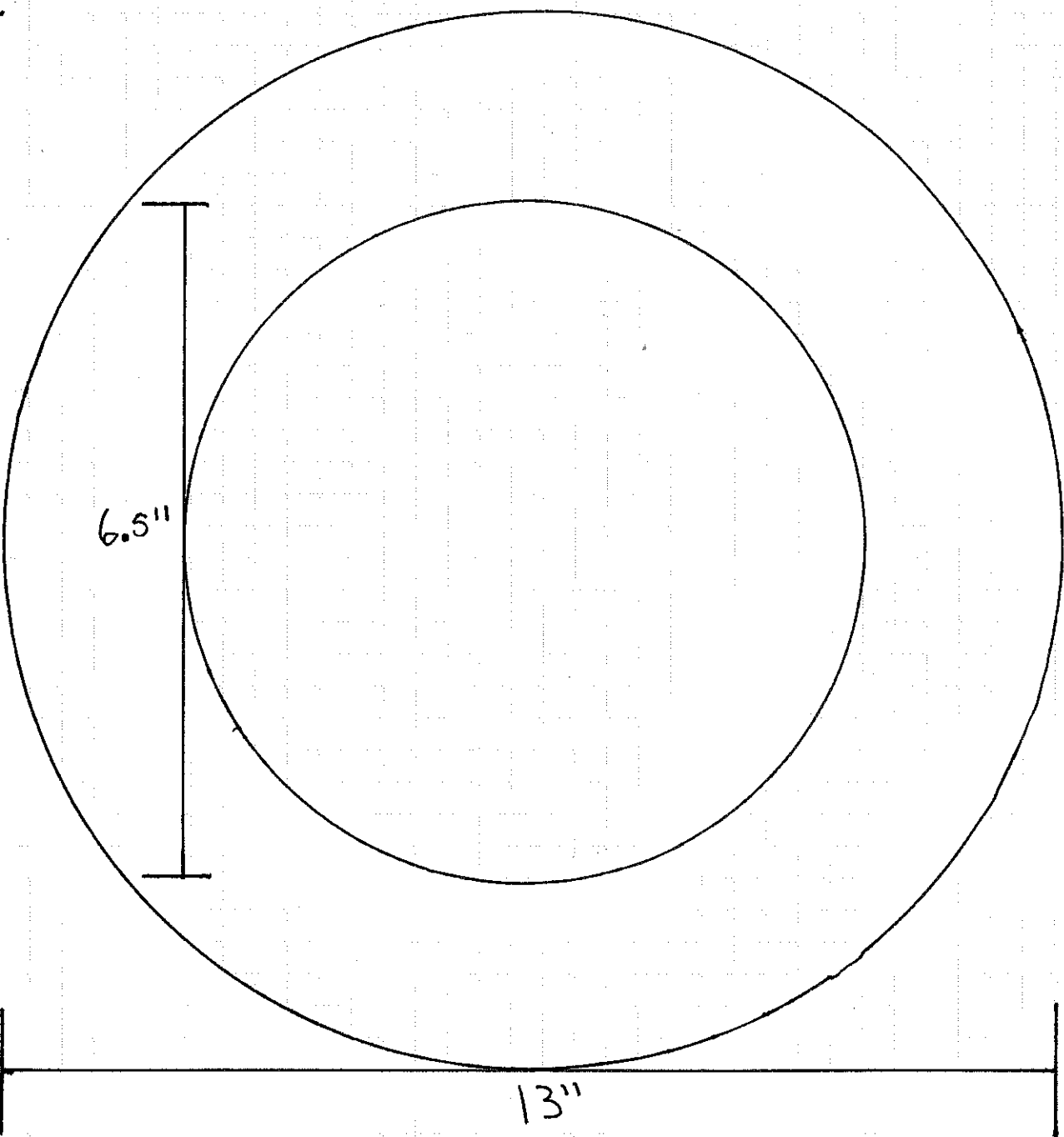
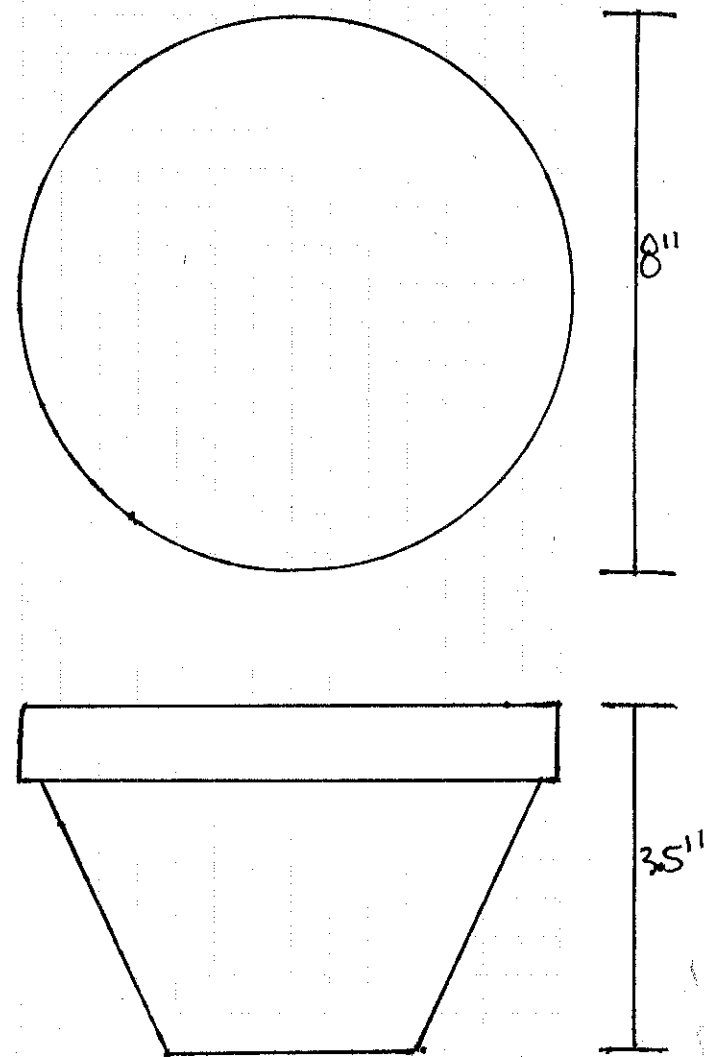


Speaker Bezel



Speaker



Hole in ceiling is 10" but
metal casing/mounting
base is $9\frac{3}{4}$ ".

Speaker Grille in sheetrock



Hole in Sheetrock





C803
COAXIAL LOUDSPEAKER

95430

Impedance: 8 ohms
Power Rating: 16 watts

ATLAS / SOUNDOLIER
FENTON, MO. 63026 U.S.A.
115762

C & S
SEC.
HQ-87
13310

Above ceiling view







